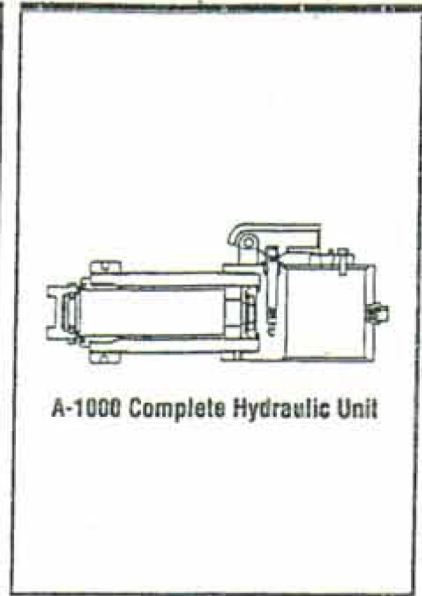
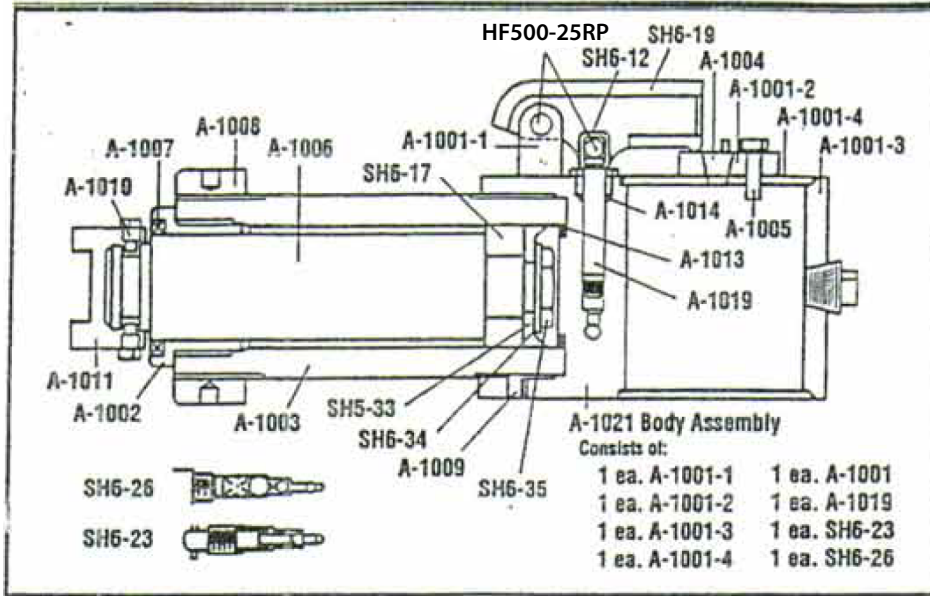


Aldon Hydraulic Rail Benders Models 2H and 3H



Description	Catalog Number	Part Number From Diagram	Description	Catalog Number	Part Number From Diagram
Complete Hydraulic Unit	6288	A-1000	Piston Clip	6259	SH6-12
Seal Nut	6242	A-1002	Ram Spacer	6260	SH6-17
Inside Cylinder	6243	A-1003	Socket	6261	SH6-19
Pipe Plug			Release Valve Assy	6262	SH6-23
Socket head	6244	A-1004	Pump Valve Assy	6263	SH6-26
Breather Screw	6245	A-1005	Ram Cup	6264	SH6-33
Ram	6246	A-1006	Cup Washer	6265	SH6-34
Dirt Seal	6247	A-1007	Cup Washer Nut	6266	SH6-35
Lock Nut	6248	A-1008	Gasket for SH6-23	6267	P-1-4
Allenhead Set Screw	6249	A-1009	Seal for SH6-23	6268	CP-13-16
Dog Point Set Screw	6250	A-1010	Inserting Tool for Pump Valve Seal	6269	CP-13-44
Swivel Head (incl. 2 ea A-1010)	6251	A-1011	Inserting Tool for Release Valve Seal	6270	P-1A-40
"O" Ring	6253	A-1013	Reseating Tools for Ball Seating	6271	CP-13-42
Pump Piston Packing	6254	A-1014	Reseating Tools for Ball Seating	6272	CP-13-43
Socket Pin w/Cotters	6255	HF500-25RP	Repair Kit Consisting of: A-1019, SH6-23, SH6-26, SH6-33, A-1013, and A-1007	6666	N/A
Pump Piston Nut Assy (Includes SH6-11)	6256	A-1019			
Inserting tool for A-1019	6257	A-1020			
Body Assy Consisting of: A-1001, A-1002, A-1003, A-1004, With A-1019, SH6-23, & SH6-26	6258	A-1021			