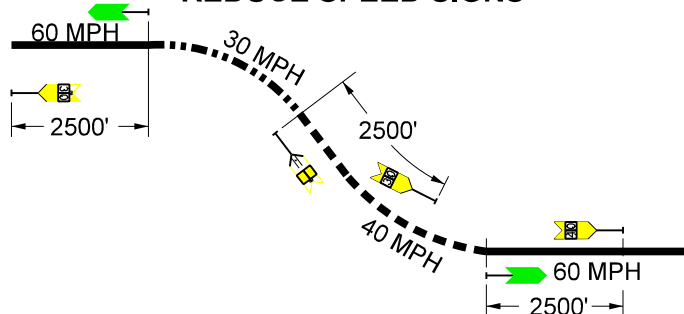
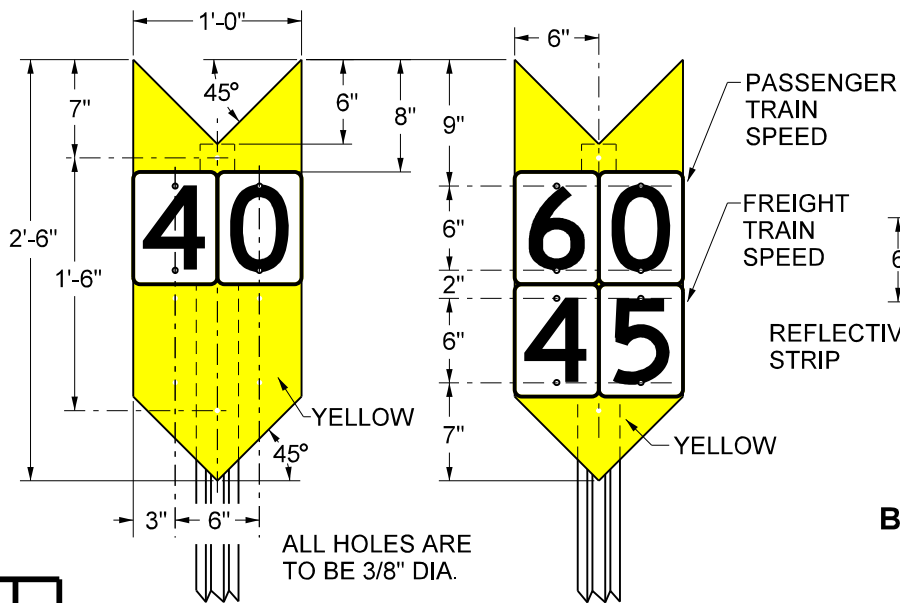


REDUCE SPEED SIGNS



TYPICAL SIGN PLACEMENT 60 M.P.H. SUBDIVISION TIME TABLE SPEED



**FREIGHT ONLY
SUBDIVISIONS**

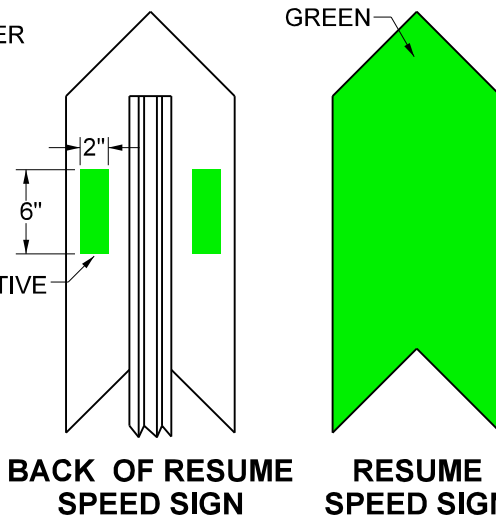
**FREIGHT AND PASSENGER
SUBDIVISIONS**

NOTES:

1. SEE RULE 5.5 GENERAL CODE OF OPERATING RULES.
2. REDUCE SPEED SIGNS WILL BE LOCATED 2500 FEET IN ADVANCE OF THE RESTRICTED TERRITORY AND WILL INDICATE THE MAXIMUM SPEED PERMITTED AS SHOWN IN THE CURRENT TIME TABLE. WHERE TWO SPEEDS ARE SHOWN, THE HIGHER SPEED APPLIES TO PASSENGER TRAINS AND THE LOWER SPEED TO FREIGHT TRAINS. WHERE ONE SPEED IS SHOWN, IT APPLIES TO ALL TRAINS.
3. A REDUCED SPEED SIGN WILL NOT BE PLACED WITHIN THE LIMITS OF A LOWER SPEED RESTRICTION BUT WILL BE PLACED AT THE END OF THE LOWER SPEED RESTRICTION LIMITS IN LIEU OF A RESUME SPEED SIGN.

NOTES (CONTINUED):

4. IN MULTIPLE MAIN TRACK, C.T.C. TERRITORY, SPEED RESTRICTION, RESUME SPEED AND/OR STOP SIGNS WILL BE PLACED ADJACENT TO EACH TRACK EFFECTED.
5. RESUME SPEED SIGN WILL BE PLACED TO INDICATE THE END OF THE RESTRICTED TERRITORY. THIS SIGN SHALL NOT BE PLACED WHERE THERE IS LESS THAN ONE HALF MILE BETWEEN THE END OF ONE SPEED RESTRICTION AND THE BEGINNING OF ANOTHER SPEED RESTRICTION.
6. REDUCE SPEED SIGNS TO BE 3871 YELLOW 3M HIGH INTENSITY BACKGROUND ON 0.080" 3105 SHEET ALUMINUM.
7. RESUME SPEED SIGN TO BE 3877 GREEN 3M HIGH INTENSITY BACKGROUND ON 0.080" 3105 SHEET ALUMINUM.
8. BACK SIDE OF RESUME SPEED SIGN TO HAVE A 2" X 6" VERTICAL STRIP ON BOTH SIDES OF THE MOUNTING POST. STRIP WILL BE THE SAME 3M MATERIAL AS UTILIZED ON THE FRONT OF THE SIGN.
9. SINGLE SIDED SINGLE DIGIT SIGNS PER STD DWG 0502 ARE TO BE USED DURING FIELD INSTALLATION TO INDICATE MAXIMUM AUTHORIZED SPEED THROUGH RESTRICTIONS.



**BACK OF RESUME
SPEED SIGN**

**RESUME
SPEED SIGN**

FOR MOUNTING DETAILS, SEE STD DWG 0599 FOR NUMERALS, SEE STD DWG 0502 REF. PREVIOUS U.P. STD PAGE 539-A

**UNION PACIFIC RAILROAD
ENGINEERING STANDARDS**

**PERMANENT SPEED
RESTRICTION SIGNS**

SIGN	ITEM NO.
REDUCE SPEED	393-3428
RESUME SPEED	393-3861



ADOPTED: SEP. 21, 2020
REVISED:
FILE NO.: 0529B

STD DWG
0529

0529
STD DWG