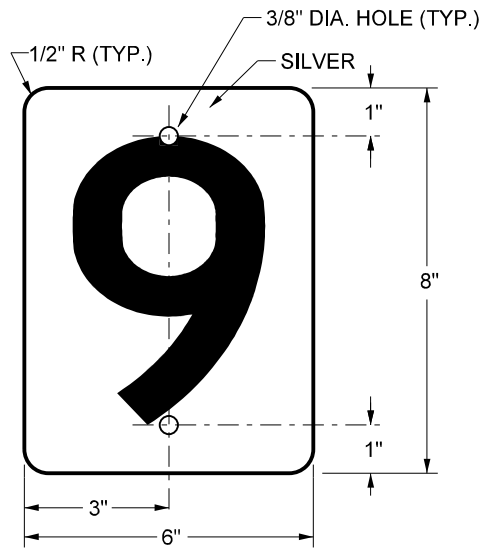
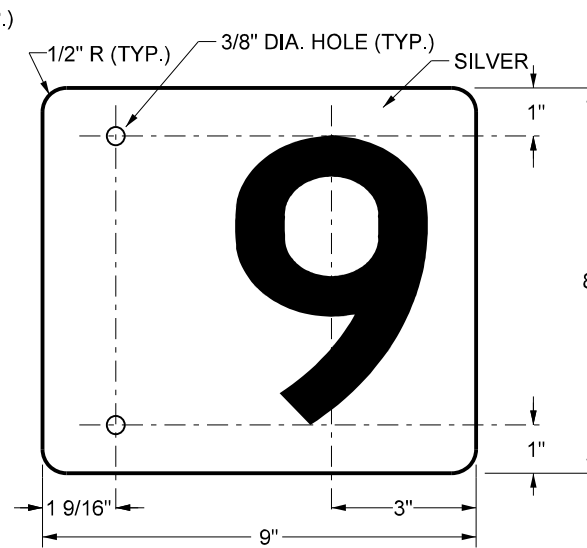


**LETTER SIGN**



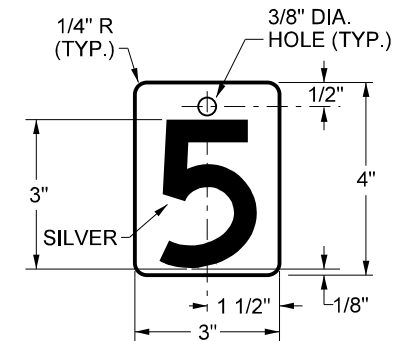
**SINGLE SIDED 6" NUMERAL SIGN**

USE IN MARKING TUNNELS, HIGHWAY CROSSINGS, WHISTLE SIGNS AND PERMANENT SPEED RESTRICTION SIGNS.



**DOUBLE SIDED 6" NUMERAL SIGN**

USE IN MARKING MILE POSTS.



**3" NUMERAL SIGN**

USE IN MARKING STRUCTURE SIGNS.

LETTER	ITEM NO.
A	393-8250
B	393-8252
C	393-8254
D	393-8256
E	393-8258
F	393-8260
G	393-8262
H	393-8264
I	393-8266
J	393-8268
K	393-8270
L	393-8272
M	393-8274

LETTER	ITEM NO.
N	393-8276
O	393-8278
P	393-8280
Q	393-8282
R	393-8284
S	393-8286
T	393-8288
U	393-8290
V	393-8292
W	393-8294
X	393-8296
Y	393-8298
Z	393-8300

SINGLE SIDED 6" NUMBERS	
NUMERAL	ITEM NO.
1	393-8201
2	393-8202
3	393-8203
4	393-8204
5	393-8205
6 OR 9	393-8206
7	393-8207
8	393-8208
0	393-8210

DOUBLE SIDED 6" NUMBERS	
NUMERAL	ITEM NO.
1	393-2902
2	393-2904
3	393-2906
4	393-2908
5	393-2910
6	393-2912
7	393-2914
8	393-2916
9	393-2918
0	393-2900

3" NUMBERS	
NUMERAL	ITEM NO.
1	393-8220
2	393-8211
3	393-8212
4	393-8213
5	393-8214
6	393-8215
7	393-8216
8	393-8217
9	393-8219
0	393-8218

**NOTES:**

SIGNS TO BE 3870 SILVER 3M SILVER HIGH INTENSITY BACKGROUND ON 0.80" 3105 ALUMINUM SHEET.

FOR MILE MARKER DETAIL, SEE STD DWG 0525  
 FOR VARIOUS MARKER DETAILS, SEE STD DWG 0505  
 FOR TUNNEL SIGN DETAIL, SEE STD DWG 0541  
 FOR HIGHWAY CROSSING DETAIL, SEE STD DWG 0519  
 FOR LETTER DETAIL, SEE STD DWG 0501  
 FOR NUMERAL DETAIL, SEE STD DWG 0501

**UNION PACIFIC RAILROAD  
 ENGINEERING STANDARDS**

**SINGLE LETTER AND  
 NUMERAL SIGN**



ADOPTED: SEP. 21, 2020  
 REVISED:  
 FILE NO.: 0502

STD DWG

0502

STD DWG  
 0502