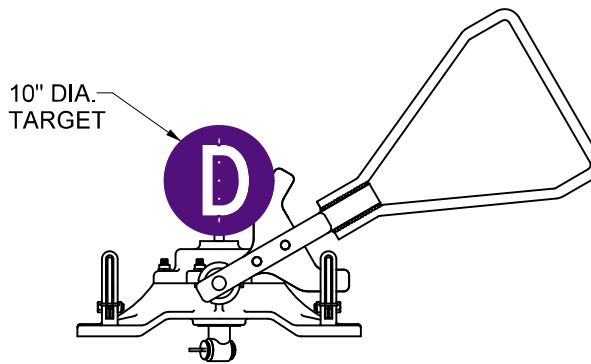
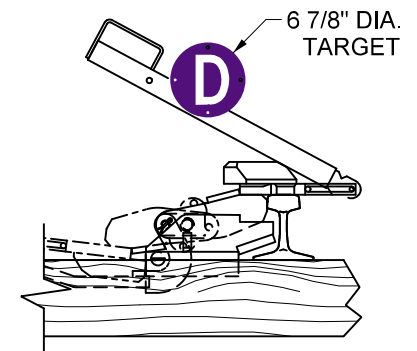


18" DERAIL SIGN ON POST



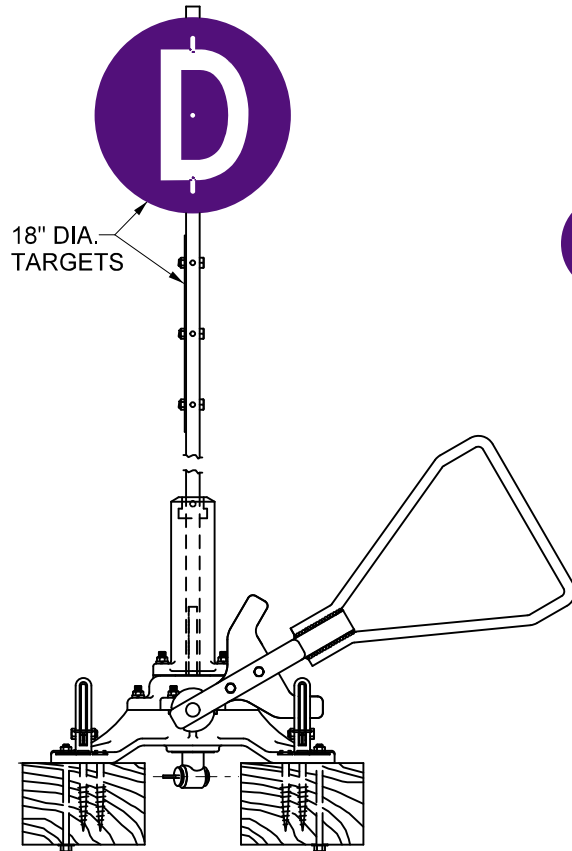
10" DERAIL SIGN



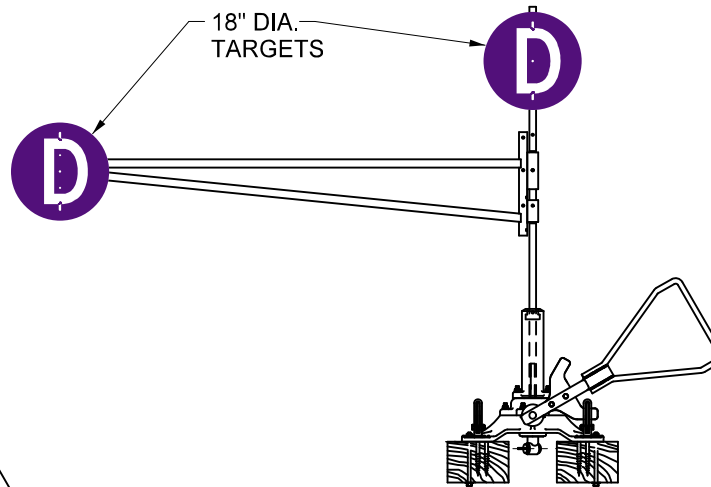
6 7/8" DERAIL SIGN

NOTES:

1. 6 7/8" DERAIL SIGN TO BE USED ON CLOSED CLEARANCE DERAIL.
2. 10" DERAIL SIGN TO BE USED ON LOW SWITCH STANDS.
3. 18" DERAIL SIGN TO BE USED ON HIGH SWITCH STANDS AND HINGED DERAIL LOCATIONS.
4. POST MOUNTED 18" DERAIL SIGN TO BE USED AT ALL HINGED DERAIL LOCATIONS. DERAIL SIGN TO BE PLACED ON THE DERAIL SIDE OF THE TRACK ADJACENT TO THE DERAIL WITH THE NEAREST POINT OF THE SIGN TO BE A MINIMUM OF 7 FEET FROM THE GAGE SIDE OF THE NEAREST RAIL.
5. DERAIL GATE TO BE USED WITHIN YARDS; ONLY AS AN ALTERNATIVE BASED ON GENERAL MANAGER APPROVAL. DERAIL GATE IS ATTACHED TO HIGH SWITCH STAND MAST, AND UTILIZES 18" DERAIL SIGNS. SEE WORK PROCEDURE DOCUMENT FOR INSTALLATION INSTRUCTIONS.
6. FOR DERAIL SIGN SPECIFICATIONS, SEE STD DWG 2100.



18" DERAIL SIGN ON SWITCH STAND



DERAIL GATE WITH 18" DERAIL SIGNS

ITEM	ITEM NO.
6 7/8" SIGN	393-1290
10" SIGN	557-7647
18" SIGN	557-7669
DERAIL GATE	559-0005

UNION PACIFIC RAILROAD  
ENGINEERING STANDARDS

# DERAIL SIGN



ADOPTED: SEP. 21, 2020  
REVISED: JULY 29, 2022  
FILE NO.: 0515

STD DWG

**0515A**

0515A

STD DWG