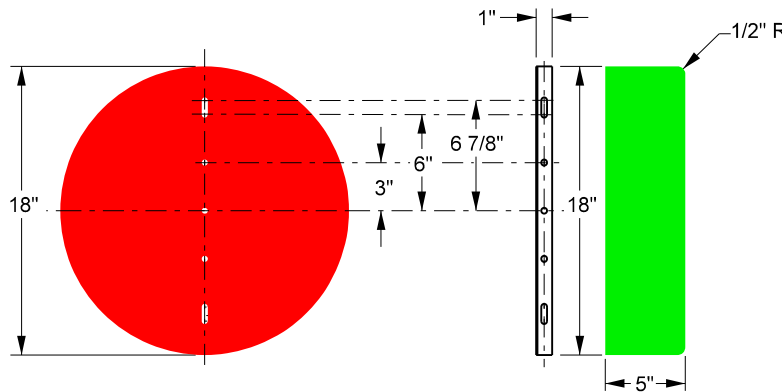


18" SILVER SPRING SWITCH TARGET

ITEM NO. 557-7780



18" DIAMETER RED TARGET

ITEM NO. 557-7758

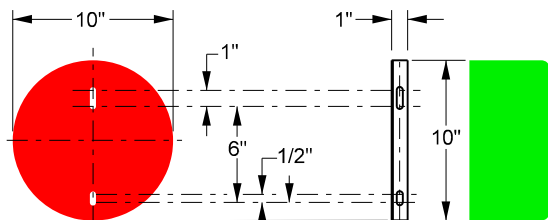
18" GREEN TARGET

ITEM NO. 557-7603

NOTES:

1. ALL TARGETS TO BE 0.080" ALUMINUM.
2. ALL TARGETS TO BE DOUBLE SIDED, EXCEPT THE CROSSOVER HAND THROW SWITCH TARGET. CROSSOVER HAND THROW SWITCHES MUST HAVE ONE SINGLE SIDED SWITCH TARGET ON EACH SIDE OF THE SWITCH STAND MAST.
3. CROSSOVER HAND THROW SWITCH TARGET WILL BE LABELED WITH THE ZTS NUMBER OF THE CROSSOVER TRACK.
4. ALL HOLES TO HAVE 3/16" RADIUS.
5. 18" DIAMETER RED TARGET TO HAVE NO. 3872 HIGH INTENSITY REFLECTIVE SURFACE. THESE TARGETS ARE FOR USE ON ALL MAINLINE SWITCH STANDS.
6. 10" DIAMETER TARGET TO HAVE "3M" NO. 3272 ENGINEER GRADE REFLECTIVE SURFACE. THESE TARGETS FOR USE ON ALL YARD AND INDUSTRY SWITCH STANDS.
7. 18" DIAMETER SILVER TARGET TO HAVE NO. 3290 WHITE REFLECTIVE SURFACE WITH 12" SILK SCREENED P.R.A. SERIES "D" BLACK LETTERS "S" ON BOTH SIDES. THIS TARGET FOR USE ON SWITCH STANDS ATTACHED TO A SPRING SWITCH.
8. 6 7/8", 10", AND 18" DIAMETER PURPLE TARGET WILL HAVE NO. 3290 SILVER REFLECTIVE SURFACE REVERSE SCREENED WITH "3M" PROCESS NO. 893 (PURPLE) INK TO FORM A SILVER P.R.A. SERIES "D" LETTER "D" ON A PURPLE BACKGROUND FOR EACH SIDE. THE 18" DIAMETER TARGET TO BE USED ON ALL HIGH STANDS OR LOW STANDS THAT HAVE A HIGH MAST. THE 10" DIAMETER PURPLE TARGET TO BE USED ON LOW STANDS THAT HAVE A LOW MAST AND SIGN POSTS MARKING THE LOCATION OF DERAILS. 6 7/8" DIAMETER PURPLE TARGET TO BE USED ON CLOSE CLEARANCE DERAIL PER UPRR STD DWG 2008. APPROPRIATE PURPLE DERAIL TARGET TO BE USED AT ALL RUNAWAY TRACK LOCATIONS.
9. 10" AND 18" GREEN TARGETS TO HAVE NO. 3277 REFLECTIVE SURFACE. 10" TARGETS ARE FOR LOW AND GROUND STANDS AND THE 18" TARGET IS FOR ALL OTHER SWITCH STAND TYPES. 10" TARGET IS REQUIRED FOR BOTH SIDES OF MAST. THESE TARGETS ARE REQUIRED ON ALL SWITCH STANDS IN NON-SIGNALIZED TERRITORY AND ARE REQUIRED BY LAW IN THE STATES OF MISSOURI AND WISCONSIN.
10. TARGET MAST: VENDOR TO SUPPLY 1 EACH - 1 1/2" ZINC PLATED 3/8" GRADE 5 CAP SCREW 5/8" ZINC PLATED 3/8" GRADE 5 CAP SCREW MAST TO BE PAINTED FLAT BLACK.

ALL 18" TARGETS HAVE IDENTICAL HOLES SYMMETRIC ABOUT HORIZONTAL CENTERLINE

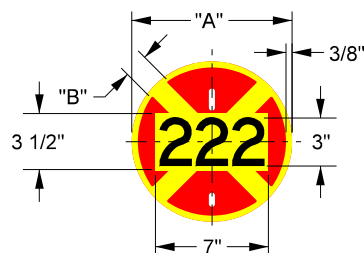


10" DIAMETER RED TARGET

ITEM NO. 557-7713

10" GREEN TARGET

ITEM NO. 557-7599



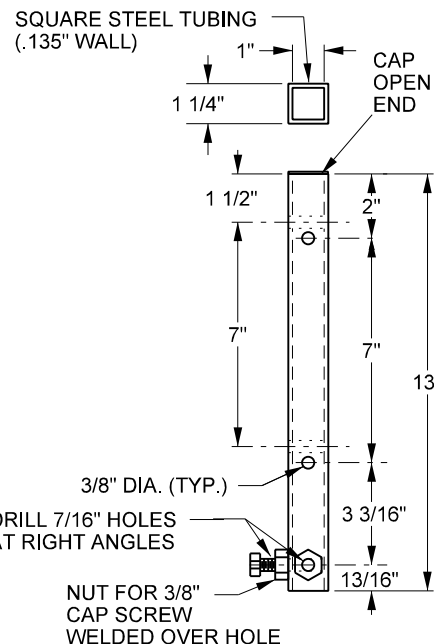
CROSSOVER HAND THROW SWITCH TARGET

ITEM NO. 393-1260 ("A" = 10", "B" = 1 1/4")
 ITEM NO. 393-1265 ("A" = 18", "B" = 2")
 (BLACK NUMERALS SEE STD DWG 2205)



PURPLE DERAIL TARGET

ITEM NO. 393-1290 ("A" = 6 7/8")
 ITEM NO. 557-7647 ("A" = 10")
 ITEM NO. 557-7669 ("A" = 18")



TARGET ROD MAST

ITEM NO. 557-7895

**UNION PACIFIC RAILROAD
 ENGINEERING STANDARDS**

SWITCH TARGETS



ADOPTED: SEP. 21, 2020
 REVISED:
 FILE NO.: 2100

STD DWG

2100