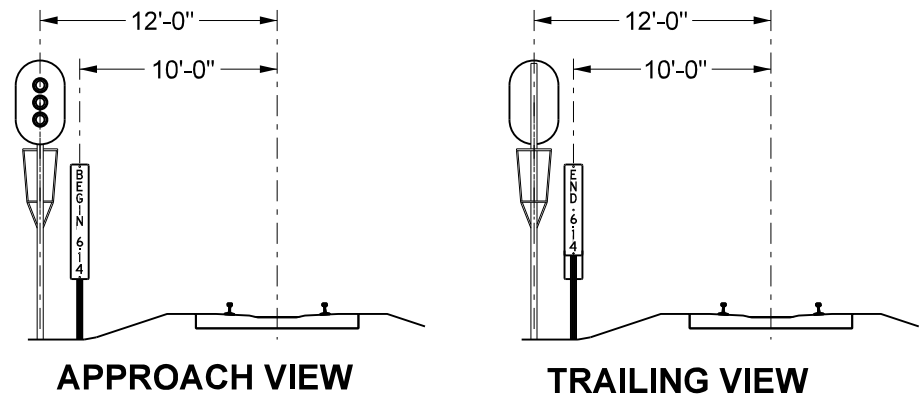


BEGIN 6.14 SIGN

END 6.14 SIGN

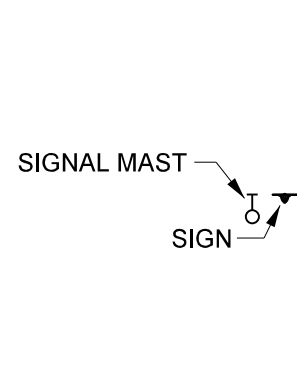


APPROACH VIEW

TRAILING VIEW

NOTES:

1. SIGN TO BE INSTALLED ON THE FIELD SIDE OF TRACK ADJACENT TO SIGNAL MAST IF PRESENT WITH THE NEAREST EDGE OF SIGN TO BE NO CLOSER THAN 10'-0" FROM CENTER LINE OF TRACK.
2. SIGNS TO BE NO. 3290 SILVER 3M ENGINEER GRADE BACKGROUND ON 0.080" 3105 SHEET ALUMINUM OR EQUIVALENT.
3. HOLE SIZES FOR MAST MOUNTING ARE PRE DRILLED 11/16" DIA. FOR 5/8" X 1 3/4" BOLTS.
4. HOLE SIZES FOR FLANGED CHANNEL POST ARE PRE DRILLED 3/8" DIA. FOR 5/16" X 2" ZINC PLATED BOLTS.
5. 48 HRS. BEFORE BEGINNING ANY DIGGING OPERATIONS, CALL UNION PACIFIC'S CALL BEFORE YOU DIG HOTLINE AT 1-800-336-9193.



LOCATION PLAN

**UNION PACIFIC RAILROAD
ENGINEERING STANDARDS**

**BEGIN AND END 6.14
TERRITORY SIGN**

ITEM	ITEM NO.
BEGIN 6.14 SIGN	393-0920
END 6.14 SIGN	393-1370



ADOPTED: SEP. 21, 2020
REVISED:
FILE NO.: 0561

STD DWG

0561

0561
STD DWG