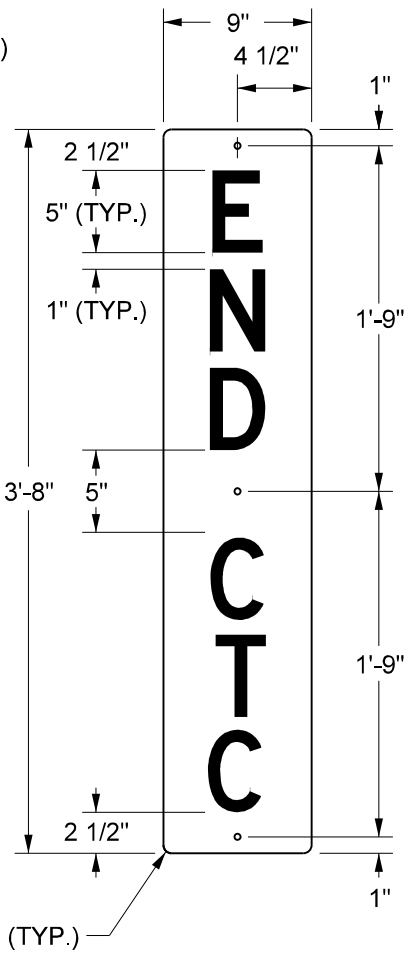
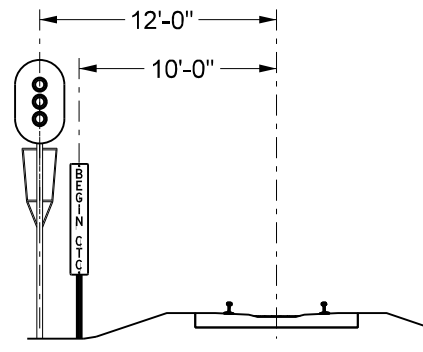


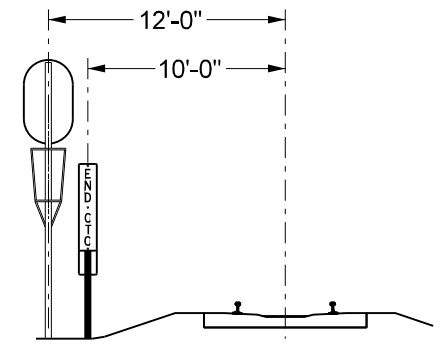
**BEGIN CTC SIGN**



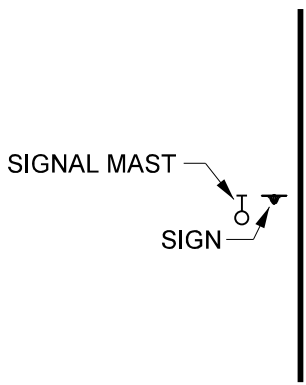
**END CTC SIGN**



**APPROACH VIEW**



**TRAILING VIEW**



**LOCATION PLAN**


- NOTES:**
1. SIGNS TO BE NO. 3290 SILVER 3M ENGINEER GRADE BACKGROUND ON 0.080" 3105 SHEET ALUMINUM OR EQUIVALENT.
  2. HOLE SIZES FOR MAST MOUNTING ARE PRE DRILLED 11/16" DIA. FOR 5/8" X 1 3/4" BOLTS.
  3. HOLE SIZES FOR FLANGED CHANNEL POST ARE PRE DRILLED 3/8" DIA. FOR 5/16" X 2" ZINC PLATED BOLTS.
  4. 48 HRS. BEFORE BEGINNING ANY DIGGING OPERATIONS, CALL UNION PACIFIC'S CALL BEFORE YOU DIG HOTLINE AT 1-800-336-9193.

0563  
STD DWG

ITEM	ITEM NO.
BEGIN CTC SIGN	393-0703
END CTC SIGN	393-1405

**UNION PACIFIC RAILROAD  
ENGINEERING STANDARDS**

**BEGIN AND END  
CTC SIGNS**

 ADOPTED: SEP. 21, 2020  
REVISED:  
FILE NO.: 0563

STD DWG  
**0563**