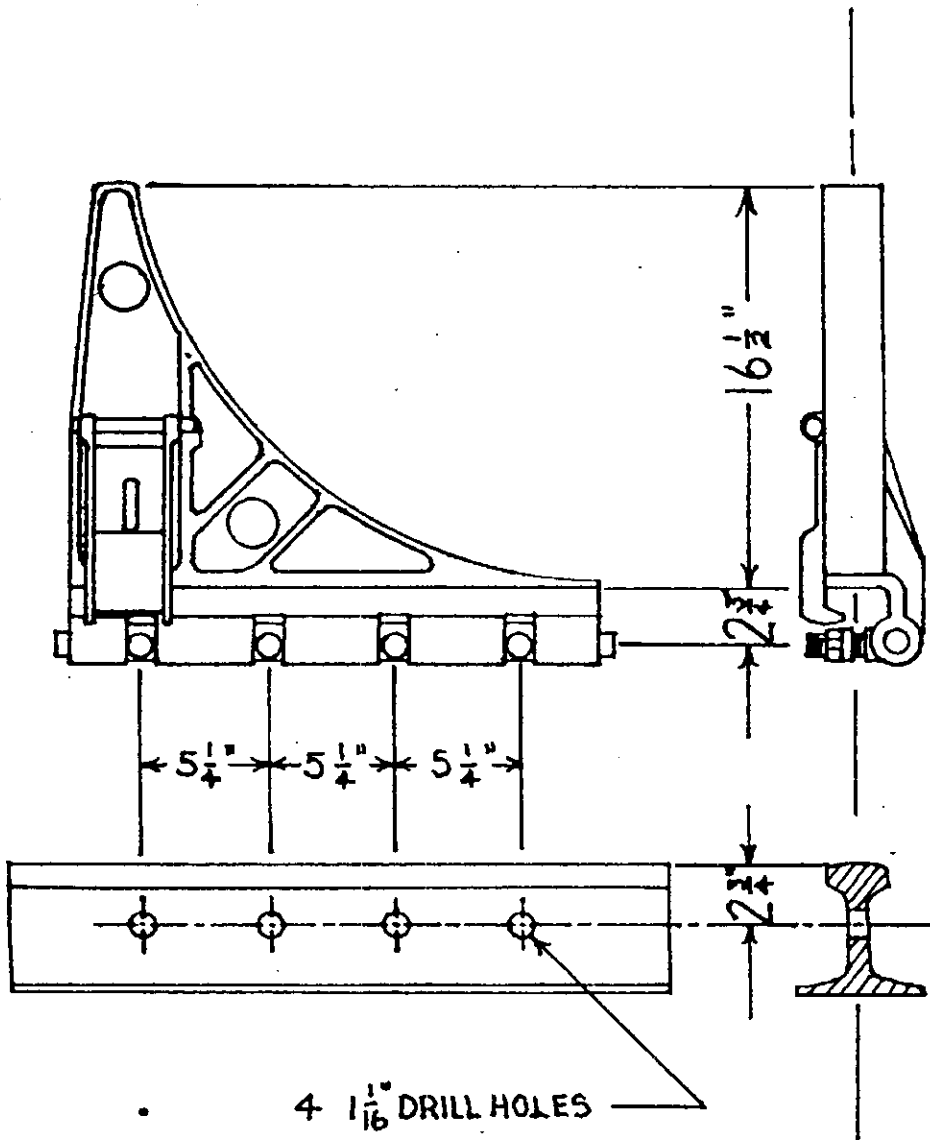
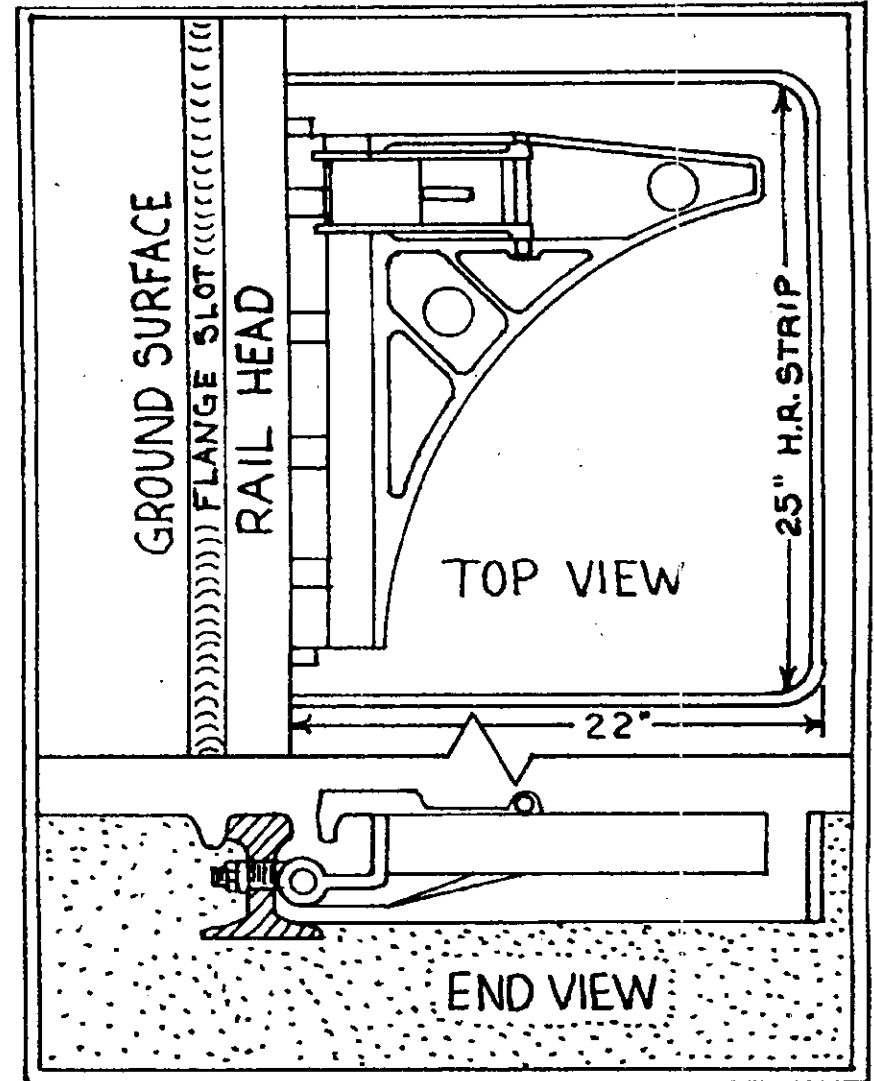


EXPOSED RAIL



4 $1\frac{1}{16}$ " DRILL HOLES

FLUSH RAIL



NO. CS-3X HINGED CAR STOP
DIMENSIONS: FULL
The Aldon Co
3410 SUNSET AVE. WAUKEGAN IL. 60087