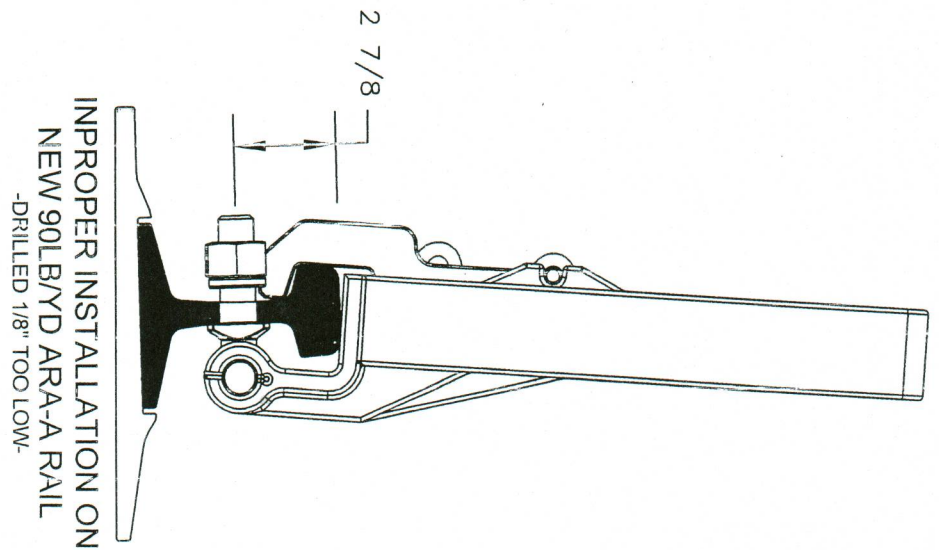
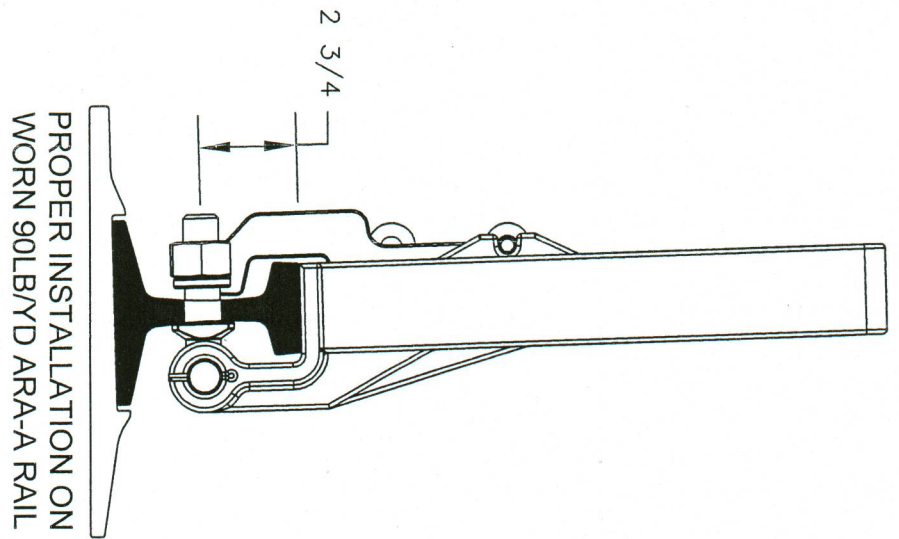
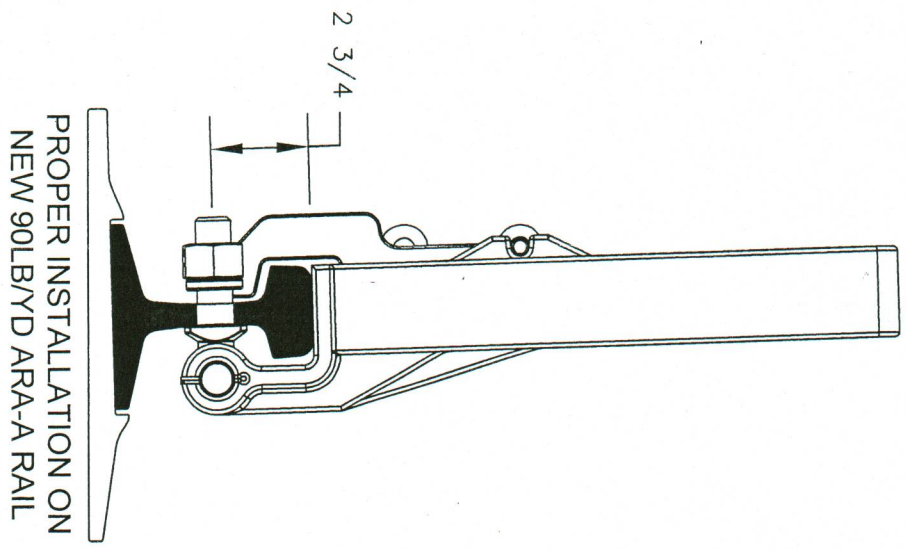


THIS DRAWING IS TRANSMITTED IN CONFIDENCE THAT ANY AND ALL INFORMATION INCLUDED WITHIN ARE THE SOLE PROPERTY OF ALDON COMPANY, INC. THIS DRAWING MAY NOT BE REPRODUCED OR TRANSMITTED IN PART OR WHOLE WITHOUT WRITTEN CONSENT.



FINISH:-

SCALE: 5:1 *DO NOT SCALE*

HEAT TRT:-

MATERIAL:-

TOLERANCE
DECIMAL
.XX:
.XXX:

FRACTION
XX/XX:

ANGLE
X°:

DATE: 03-02-2012

ALDON Company, Inc.

3410 Sunset Avenue, Waukegan, Illinois, 60087

Phone: 847-623-8800

Fax: 847-623-5139

TITLE: CS-3X ON 90-ARA-A RAIL

DRAWN: LANNAN

DRAWING:

PAGE: 1 OF 1

4016-05

REV: -