

# ALDON Company, Inc.

3410 Sunset Ave., Waukegan, Illinois 60087 • TEL: 847-623-8800 • FAX: 847-623-6139  
e-rail@aldonco.com • www.aldonco.com

Company \_\_\_\_\_

Phone \_\_\_\_\_

Contact \_\_\_\_\_

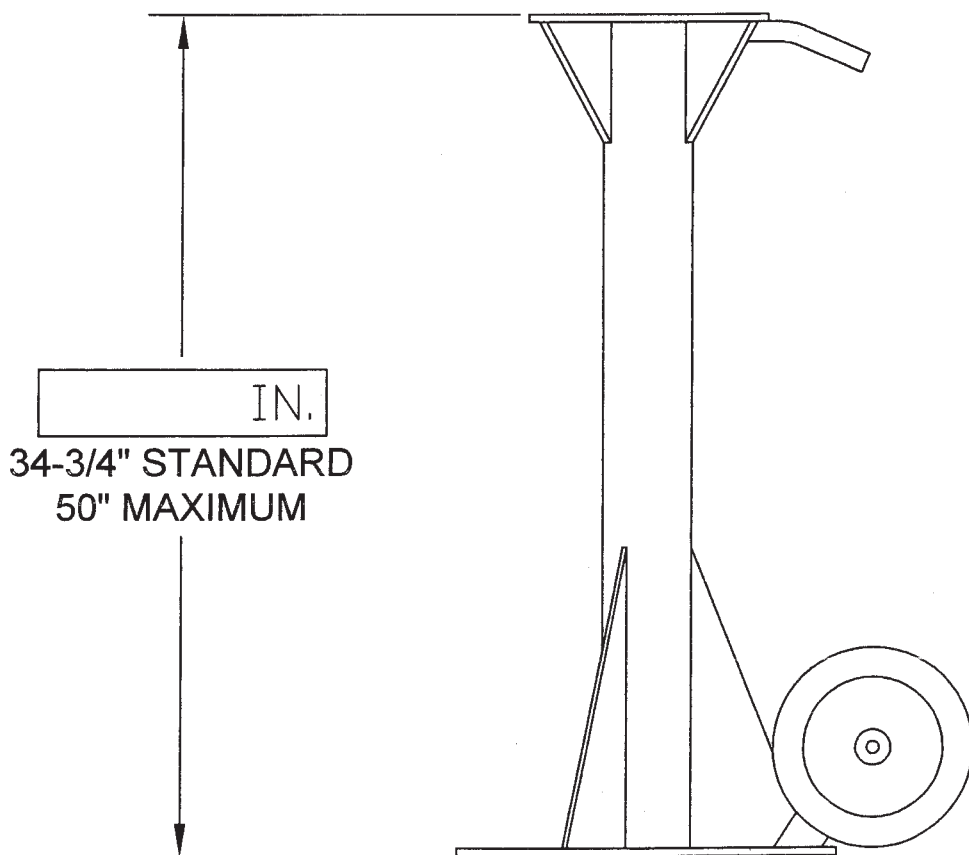
Email \_\_\_\_\_

PO \_\_\_\_\_ Order # \_\_\_\_\_

If you've already ordered

## Sizing Form

Thank you for your interest in ALDON Company freightcar stands (4024-01). Please fill in your required dimension below to ensure your product is correctly manufactured.



Note-  
4024-01A oak pad  
available. Pad is 1-3/4"  
thick. Be sure to take  
that into account when  
determining height.

## 4024-01 Repair Shop Car Stand

SIGNED: \_\_\_\_\_

DATE: \_\_\_\_\_

This is a special order item and cannot be returned.