

ALDON Company, Inc.



3410 Sunset Ave., Waukegan, Illinois 60087 • 847.623.8800 • FAX: 847.623.6139
e-rail@aldonco.com • www.aldonco.com

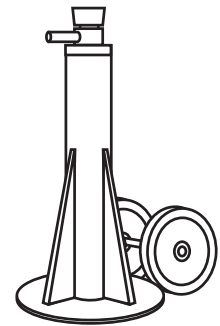
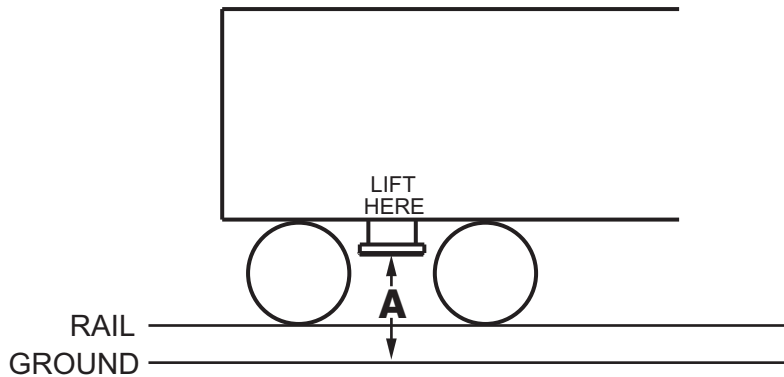
Firm: _____ Date: _____

Attn: _____ Your Phone: _____

Your P.O.: _____ Order #: _____ Your Fax: _____
If you've already ordered.

Your Email: _____ No. Pages.: _____ including this page

RAIL CAR STABILIZER SIZING FORM



4013-01-R
Ratchet Action Head

1. Measure height from ground to underside of designated Lifting/Jacking point ("A") near each end of railcar.
("A"): _____ "

2. if you work with different car body heights, please note additional different "A" heights:
_____ " _____ " _____ " _____ "

**For proper support
4 jacks are needed
per car.**

**Install at designated
lifting / jacking pads
on car.**

rev. 2017-02-20

3. FAX form to **847.623.6139** or email or upload to AldonCo.com

4. We will prepare a drawing for your approval before starting your order.

NOTES:

- Minimum retracted height of jacks: **26"**
- Maximum screw rise: **14"**
- We provide for 3" clearance to be sure jack can be placed under lifting/jacking pad

SIGNATURE

DATE

This is a special order item and cannot be returned.